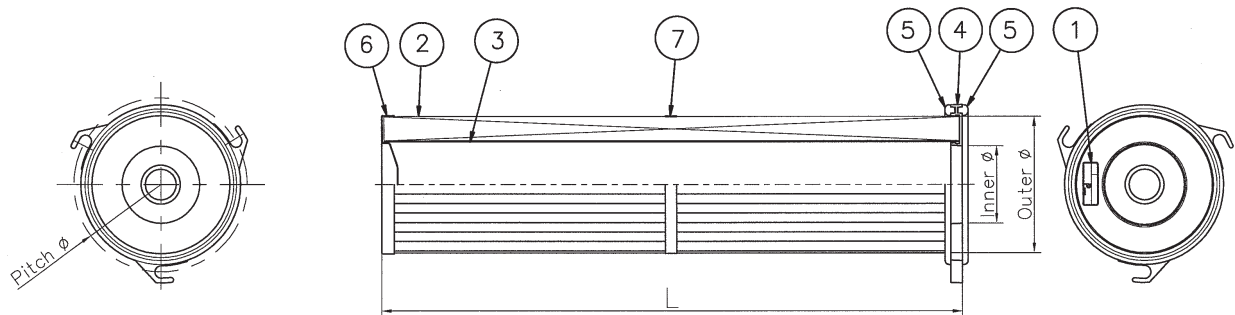


Replacement Elements Cartridges

Series 145



Quick Fix 3 top flange
Closed bottom

SPECIFICATIONS

| Number | Description |
|--------|-------------------------|
| 1 | Marking |
| 2 | Media pack |
| 3 | Inner liner |
| 4 | Top end cap - quick fix |
| 5 | Gasket (top and bottom) |
| 6 | Bottom end-cap closed |
| 7 | Outer strap |

| Symbol | Dimension |
|-----------|----------------------|
| L | 600 - 1000 - 1200 mm |
| Inner DIA | 80 mm |
| Outer DIA | 142 mm |
| Pitch | 180 mm |

Available media qualities:

- Ultra-Web® SB
- Ultra-Web® SB Anti-Static
- BonDura™
- BonDura™ Anti-Static

Replacement Elements Cartridges
